

## Data Sheet

### 35mm Cell Culture Dish

Catalog Number: 44350100N

#### DESCRIPTION

- Description 4450100N 35mm Cell Culture Dish, TC Treated
- Component Material/Resin PS (Polystyrene), Free from Heavy Metal
- Colour Transparent ,Clear
- Dimension See drawing below
- Sterilization E-Beam SAL 10<sup>-6</sup>
- Quality Control Each lot is sampled and inspected in accordance with Standard Operating Procedures.
- Other Information For single use only

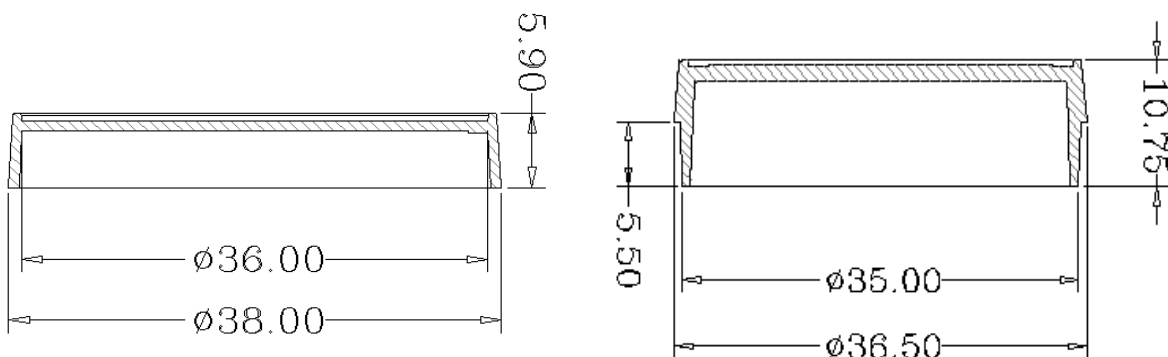
#### FEATURES

- Basic Features Non-pyrogenic
- Temperature Approx.-86 to+64°C
- Autoclavability N/A
- Centrifugation, max, RCF N/A
- Surface Treatment TC Treated
- Shelf Life 3 years after date of production

#### PACKAGING

- Package/Material plastic bag
- Package Unit 20Pieces/pack
- Units/Box 25 packs/box
- Lot No. YYYY\*\*\* (year, serial number)

#### DRAWING



Approved 03-04-2015