

Data Sheet

15ml Centrifugal Tube

Catalog Number: 4440300N

DESCRIPTION

- Description	4440300N 15ml Centrifugal Tube
- Component Material/Resin	PP/HDPE, free from heavy metal
- Colour	Transparent ,Clear
- Dimension	See drawing below
- Sterilization	E-Beam SAL 10 ⁻⁶
- Quality Control	Each lot is sampled and inspected in accordance with Standard Operating Procedures.
- Other Information	For single use only

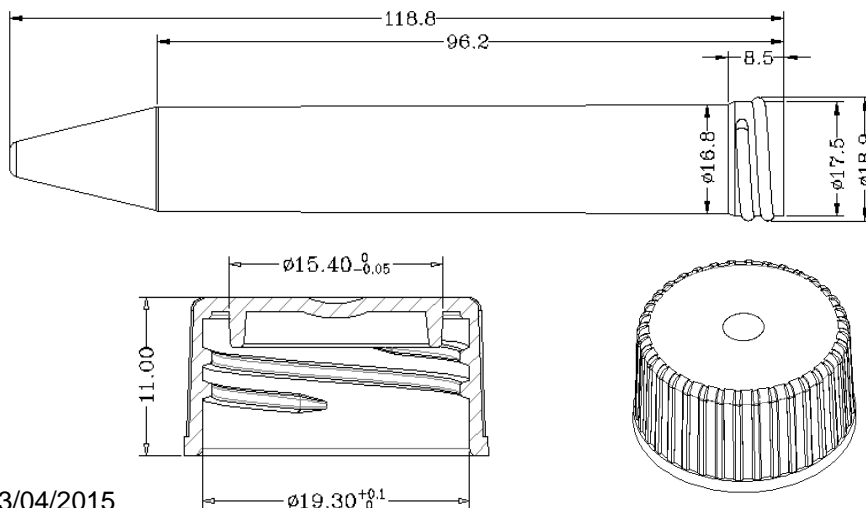
FEATURES

- Basic Features	DNase/RNase Free, Non-pyrogenic
- Temperature	Approx.-80 to+121°C
- Autoclavability	N/A
- Centrifugation, max, RCF	10000 x g
- Surface Treatment	N/A
- Shelf Life	3 years after date of production

PACKAGING

- Package/Material	PE
- Package Unit	50pcs/unit
- Units/Box	10 Unit/box
- Lot No.	YYYY*** (year, serial number)

DRAWING



Approved

3/04/2015