

Data Sheet

6 Well Cell Culture Plate, Flat Bottom

Catalog Number: 4430500N

DESCRIPTION

- Description 4430500N 6 well cell culture plate, TC Treated
- Component Material/Resin PS (Polystyrene), Free from Heavy Metal
- Colour Transparent ,Clear
- Dimension See drawing below
- Sterilization E-Beam SAL 10⁻⁶
- Quality Control Each lot is sampled and inspected in accordance with Standard Operating Procedures.
- Other Information For single use only

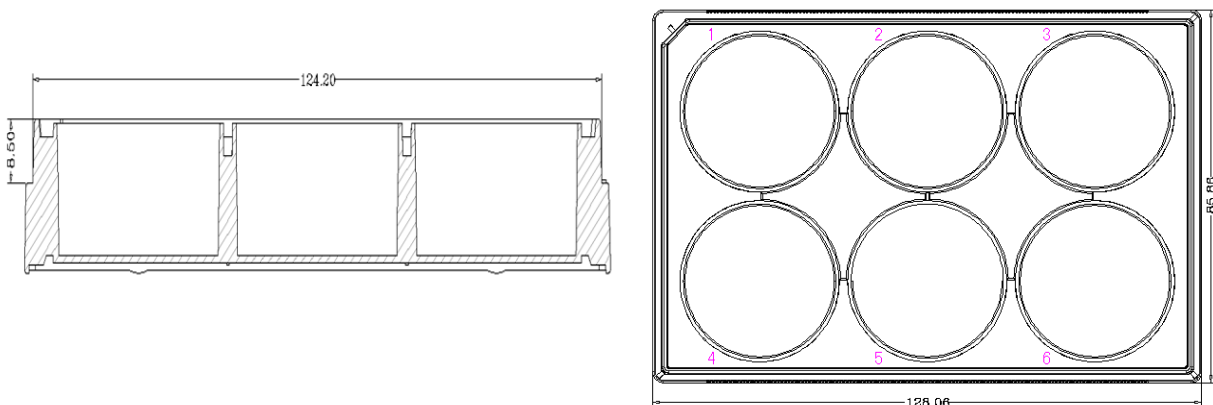
FEATURES

- Basic Features Non-pyrogenic
- Temperature Approx. -86 to +64°C
- Autoclavability N/A
- Centrifugation, max, RCF N/A
- Surface Treatment TC Treated
- Shelf Life 3 years after date of production

PACKAGING

- Package/Material Hard Blister/Blister Paper
- Package Unit 1 Pieces/unit
- Units/Box 100 Unit/box
- Lot No. YYYY*** (year, serial number)

DRAWING



Approved 03-04-2015