

Data Sheet

175cm² TC Flasks

Catalog Number: 4410300N, 4420300N

DESCRIPTION

- Description	4410300N Plug Seal Cap, TC Treated 4420300N Filter Cap, TC Treated
- Component Material/Resin	PS (Polystyrene), Free from Heavy Metal
- Colour	Transparent ,Clear
- Dimension	See drawing below
- Sterilization	E-Beam SAL 10 ⁻⁶
- Quality Control	Each lot is sampled and inspected in accordance with Standard Operating Procedures.
- Other Information	For single use only

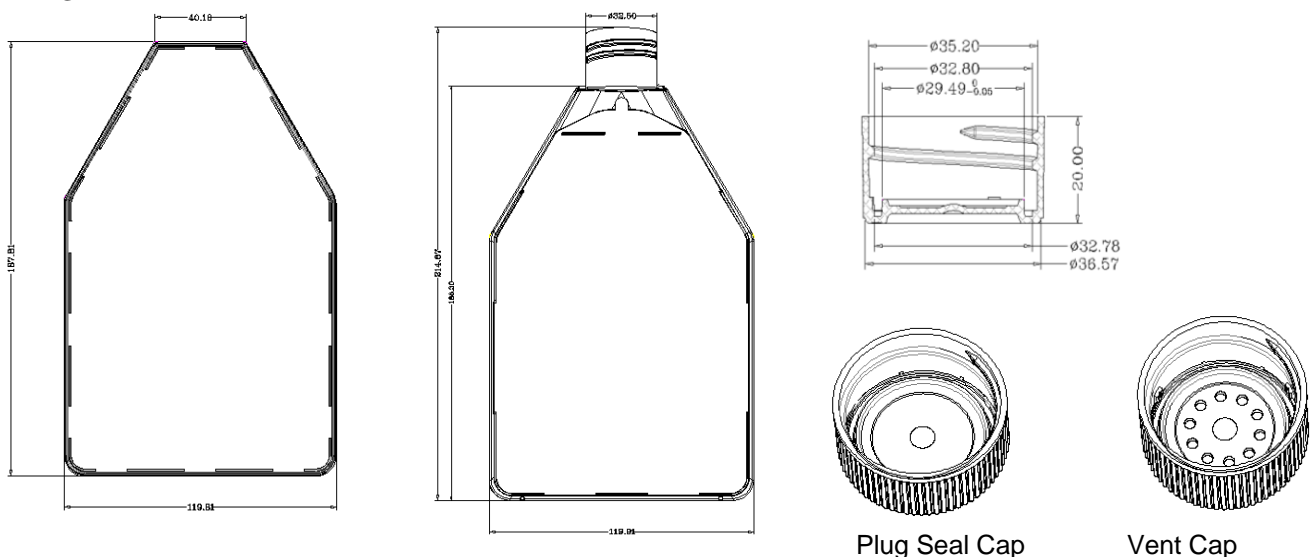
FEATURES

- Basic Features	Non-pyrogenic
- Temperature	Approx. -86 to +64°C
- Autoclavability	N/A
- Centrifugation, max, RCF	N/A
- Surface Treatment	TC Treated
- Shelf Life	3 years after date of production

PACKAGING

- Package/Material	plastic bag
- Package Unit	5 Pieces/pack
- Units/Box	20 packs/box
- Lot No.	YYYY*** (year, serial number)

DRAWING



Approved 3/04/2015