

Data Sheet

25cm² TC Flasks

Catalog Number: 4410100N, 4420100N

DESCRIPTION

- Description 4410100N Plug Seal Cap, TC Treated
4420100N Filter Cap, TC Treated
- Component Material/Resin PS (Polystyrene), Free from Heavy Metal
- Colour Transparent ,Clear
- Dimension See drawing below
- Sterilization E-Beam SAL 10⁻⁶
- Quality Control Each lot is sampled and inspected in accordance with Standard Operating Procedures.
- Other Information For single use only

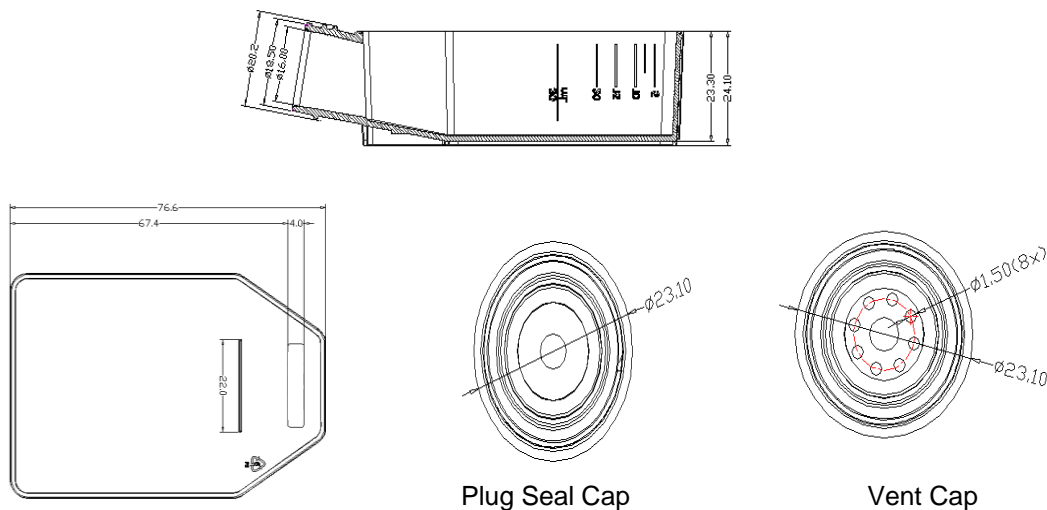
FEATURES

- Basic Features Non-pyrogenic
- Temperature Approx. -86 to +64°C
- Autoclavability N/A
- Centrifugation, max, RCF N/A
- Surface Treatment TC Treated
- Shelf Life 3 years after date of production

PACKAGING

- Package/Material plastic bag
- Package Unit 10 Pieces/pack
- Units/Box 20 packs/box
- Lot No. YYYY*** (year, serial number)

DRAWING



Plug Seal Cap

Vent Cap

Approved

3/04/2015